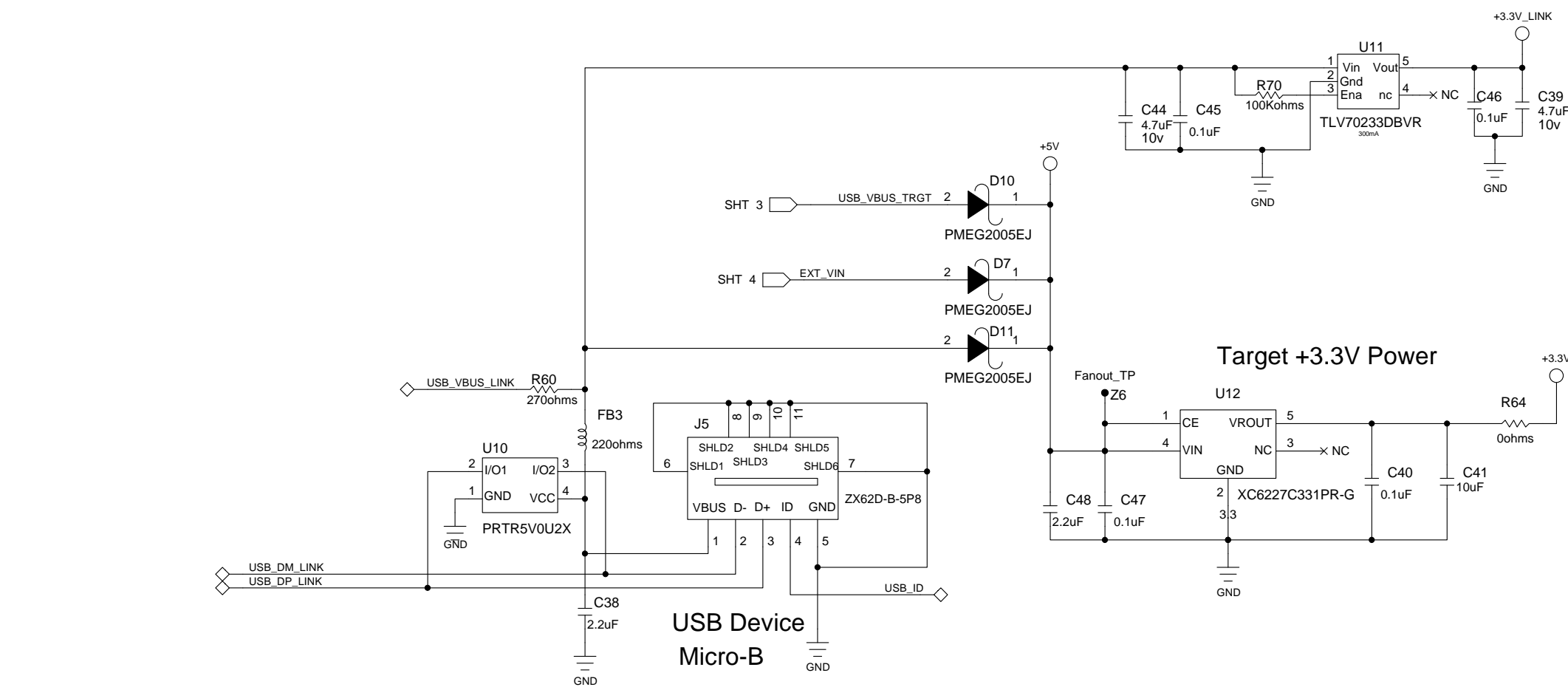
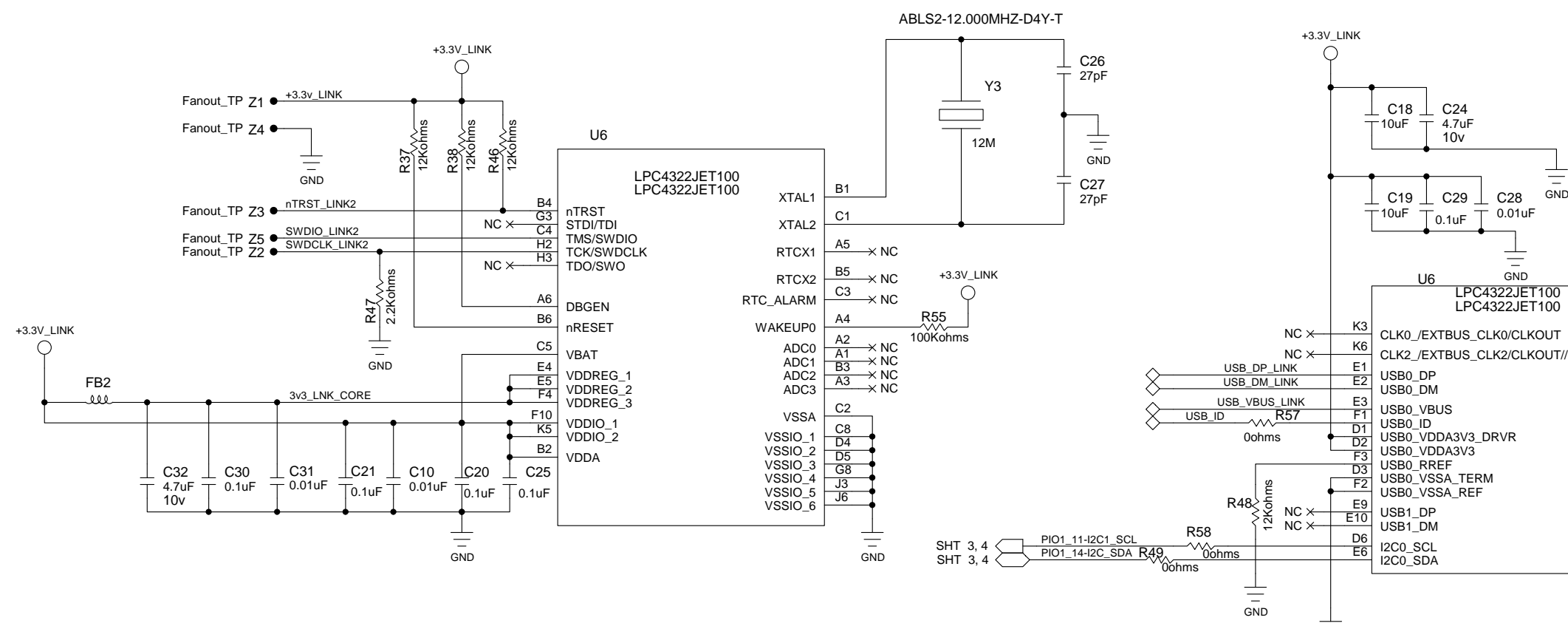
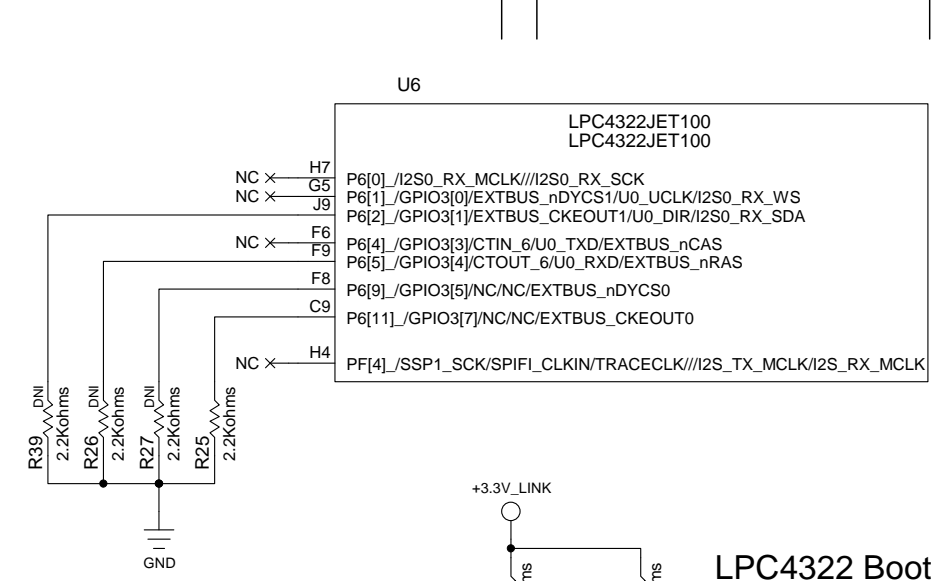
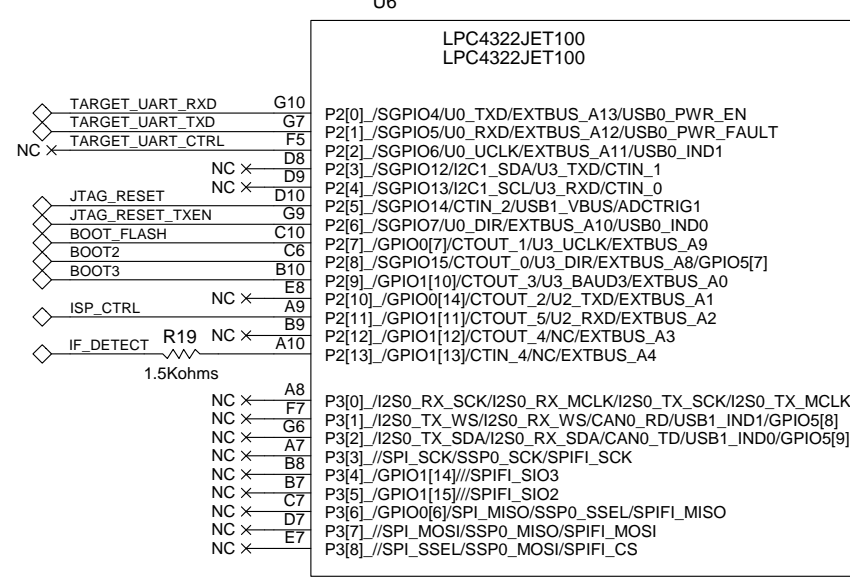
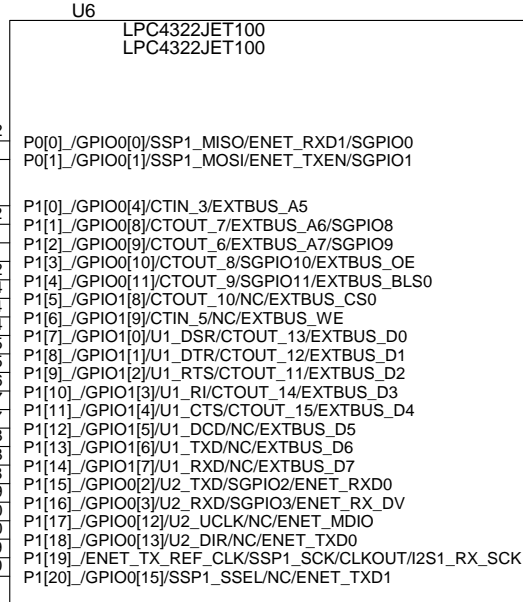


REVISIONS			
REV	DESCRIPTION	DATE	APPROVED
B	- Release to production.	10/23/2013	
C	- Change Link2 LDO to TLV70233. - Add PU to Link2 WAKEUP0. - 2.2k PU to Pmod I2C1 - add ESD protection at SWD - change USB conn to ZX62D-B-5PA8 - Xpresso / Arduino use Uart4 - Add I2C & SPI Link2 bridge interface - Add R61 PD to P1_2 for Rev C ID - Arduino A4/A5 now analog/dig pin. - Add R69, P3, P4 for current measurement.	07/30/2014	



CONTRACT NO.		LINK2 LPC4322	
APPROVALS	DATE	NXP Semiconductors	
DRAWN d.consiglio	7/30/2014	411 E. Plumeria Dr San Jose, CA 95134 www.standardics.nxp.com/microcontrollers/	
CHECKED		SIZE D	DWG. NO. Xpresso-LPC11U68
ISSUED	07/30/13	SCALE	REV C
		SHEET 1 OF 04	

REVISIONS			
REV	DESCRIPTION	DATE	APPROVED



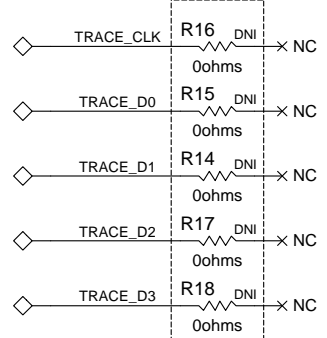
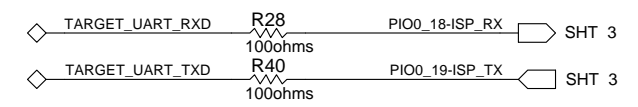
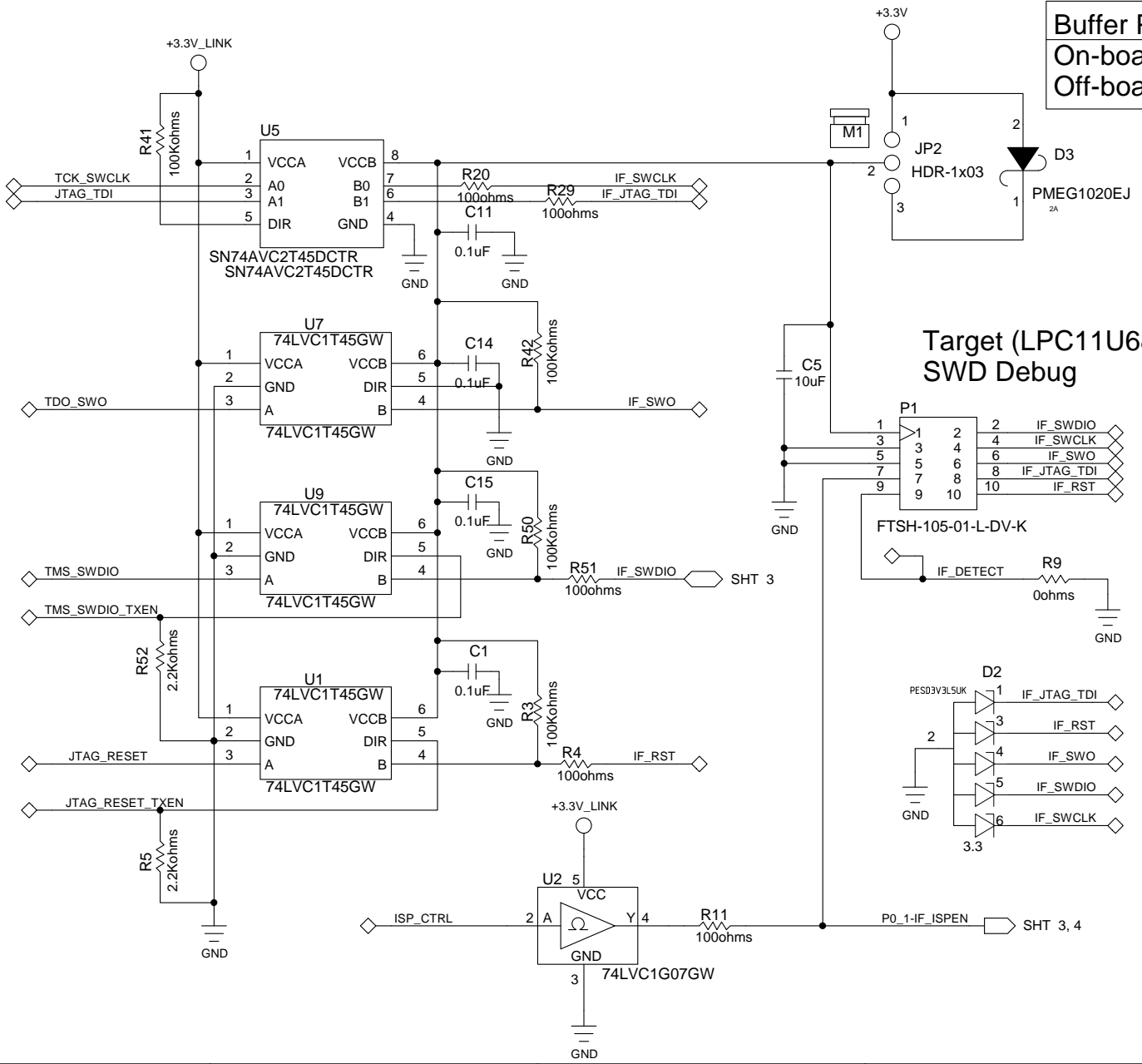
LPC4322 Boot mode
DFU USB0 = B3:0 = 0101

Buffer Pwr Select (JP2)
On-board Target 1 - 2 (default)
Off-board Target 2 - 3

Short JP3 to force DFU boot
(when internal flash is programmed)

Target to debug location (JP1)
On-board Target - open (default)
Off-board Target - short

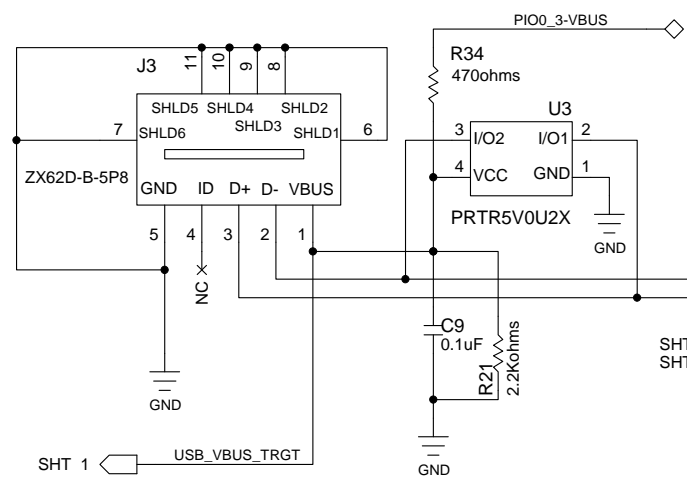
LPC11U68 Target
does not have trace.



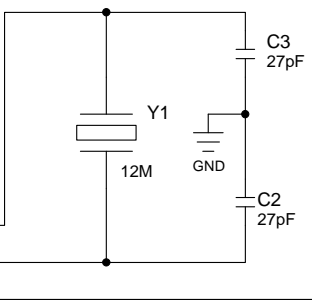
CONTRACT NO.		LINK LPC4322	
APPROVALS	DATE	NXP Semiconductors	
DRAWN d.consiglio	7/30/2014	411 E. Plumeria Dr San Jose, CA 95134 www.standardics.nxp.com/microcontrollers/	
CHECKED		SIZE	D
ISSUED	07/30/13	DWG. NO.	Xpresso-LPC11U68
		REV	C
SCALE		SHEET	2 OF 04

REVISIONS			
REV	DESCRIPTION	DATE	APPROVED

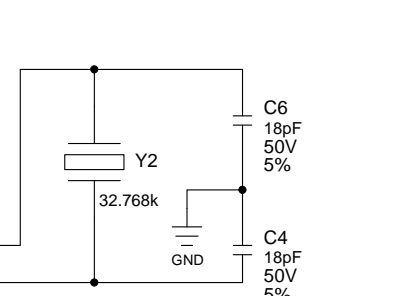
USB Device Micro-B



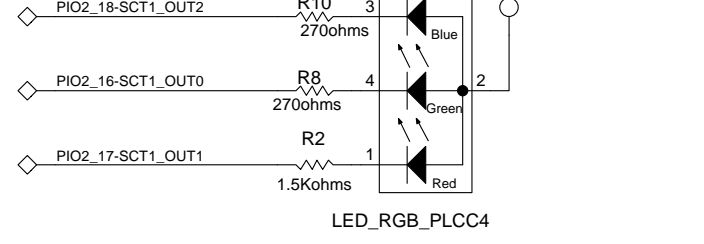
ABLS2-12.000MHZ-D4Y-T



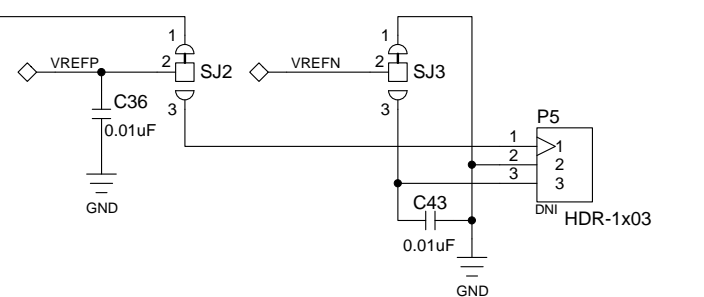
SSPT7F-12.5PF20-R



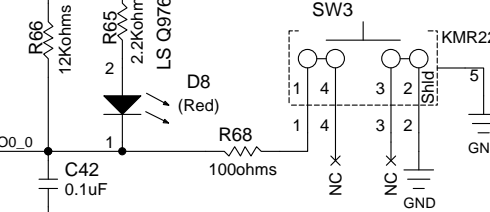
RGB LED



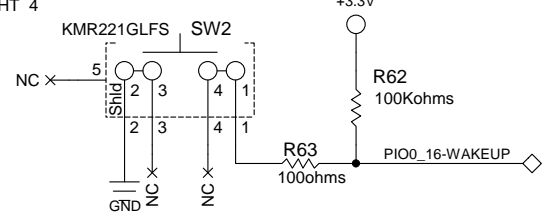
ADC Reference Voltage



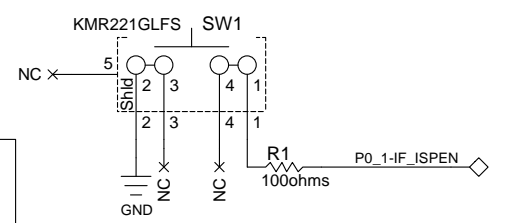
RESET



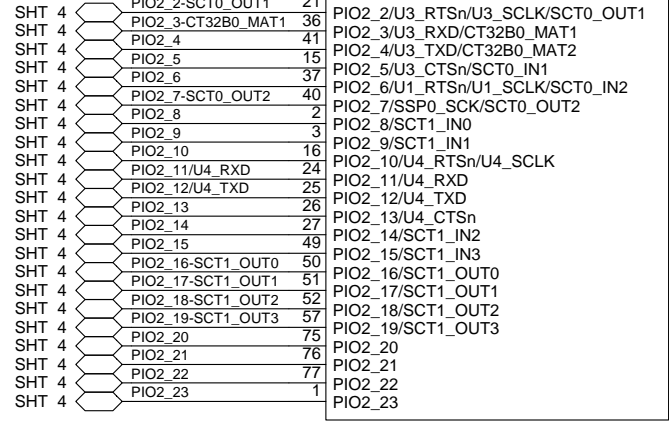
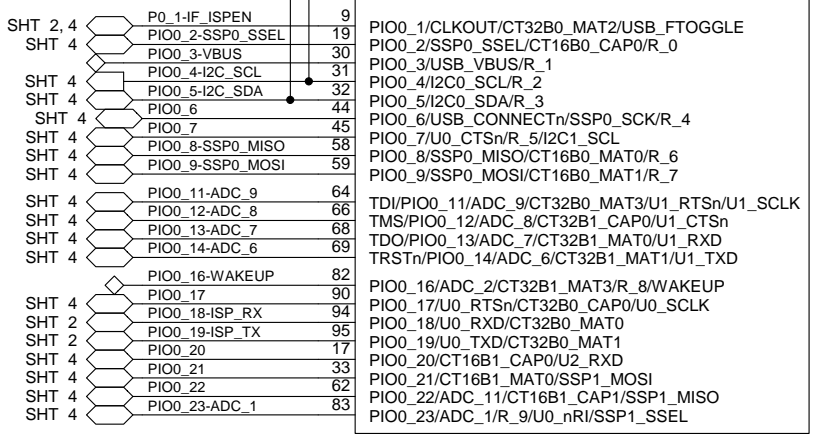
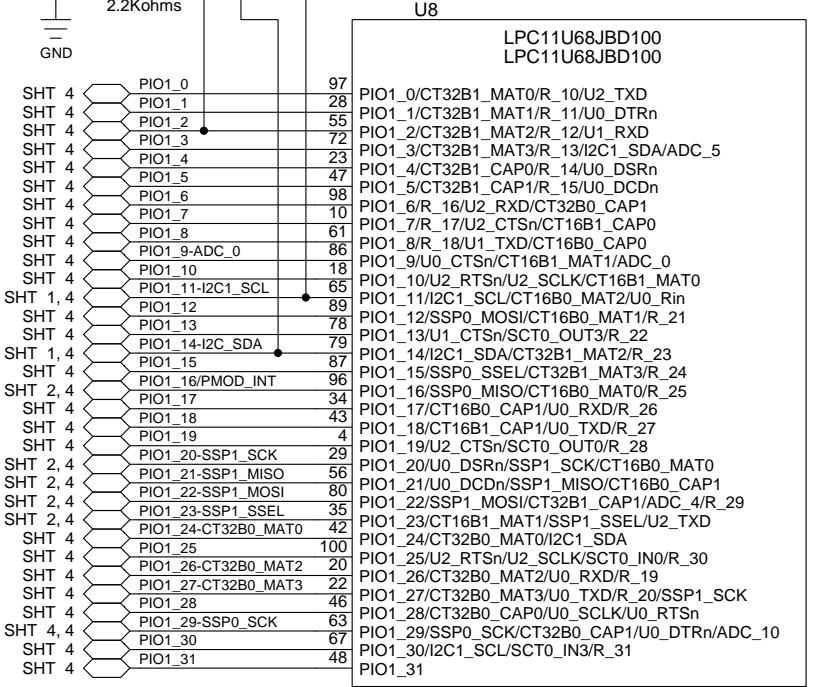
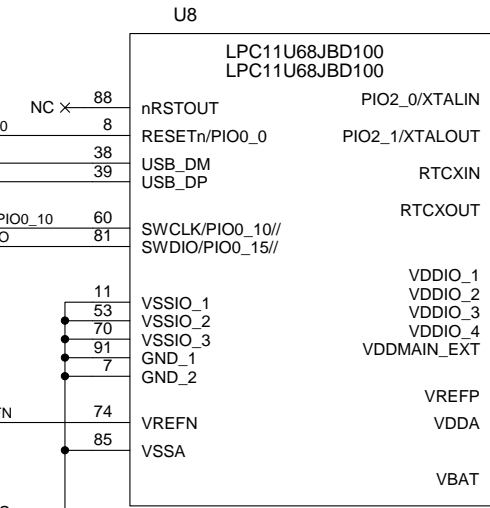
WAKEUP



Bootload Enable



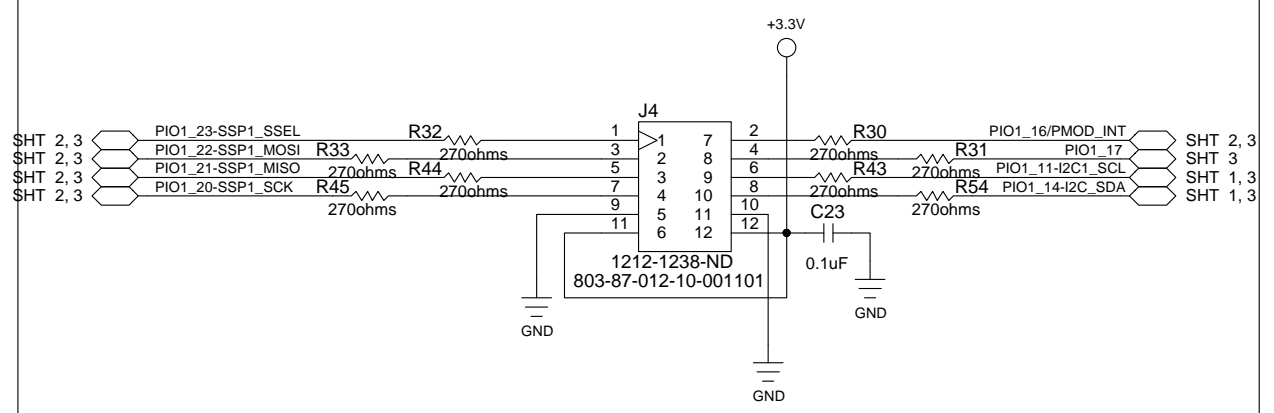
ISP Boot Modes		
Mode	PIO0_1	PIO0_3
No ISP (Flash)	high	X
USB	low	high
UART0	low	low



CONTRACT NO.		Target LPC11U68	
APPROVALS	DATE	NXP Semiconductors	
DRAWN d.consiglio	7/30/2014	411 E. Plumeria Dr	
CHECKED		San Jose, CA 95134	
ISSUED	07/30/13	www.standardics.nxp.com/microcontrollers/	
SCALE		SIZE FSCM NO.	DWG. NO. Xpresso-LPC11U68
			REV C
		SHEET	3 OF 04

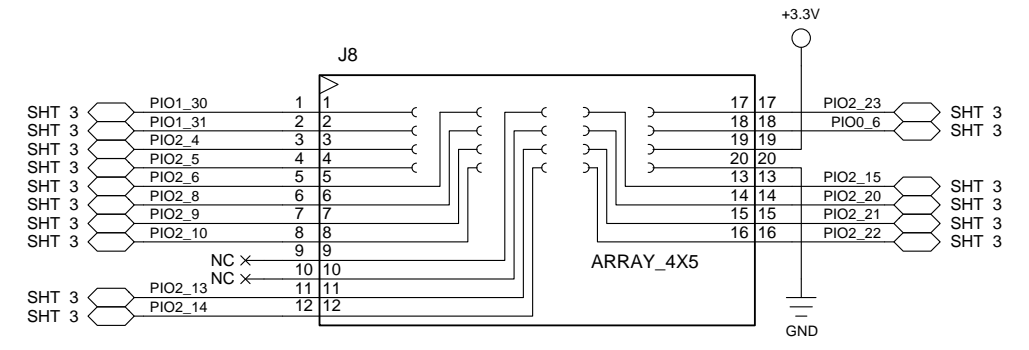
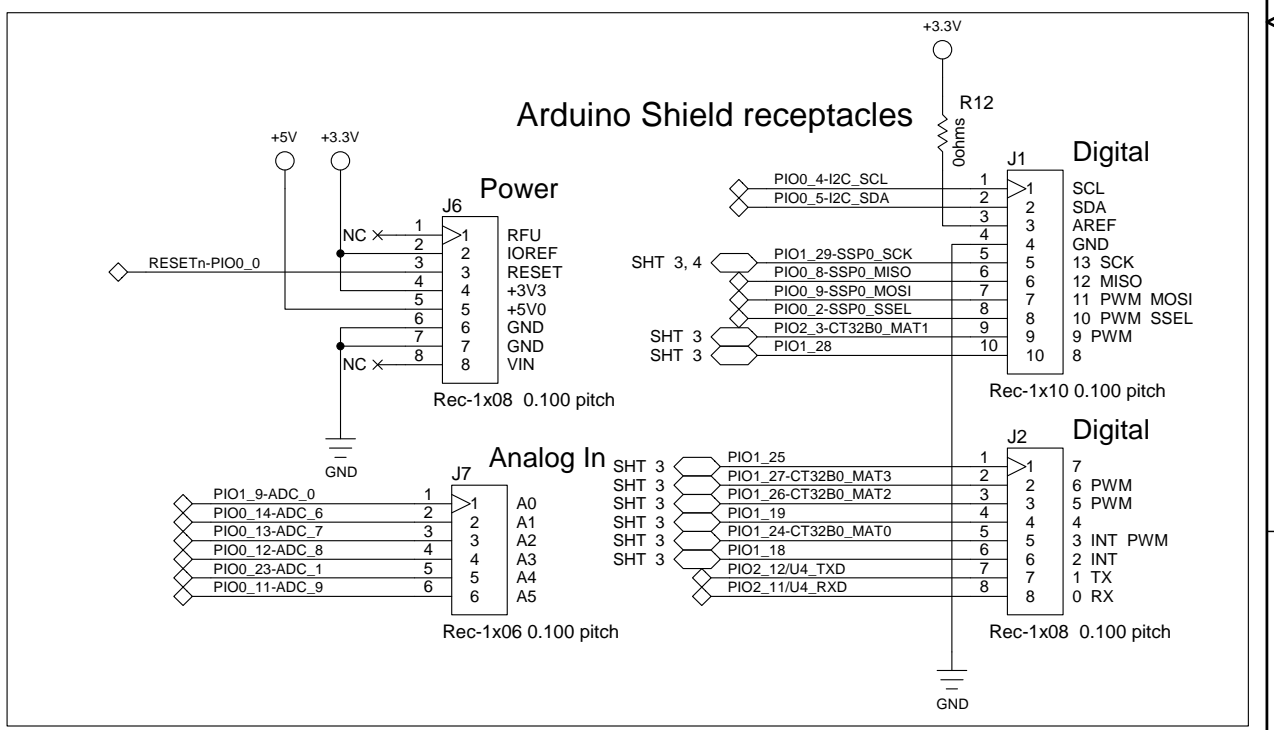
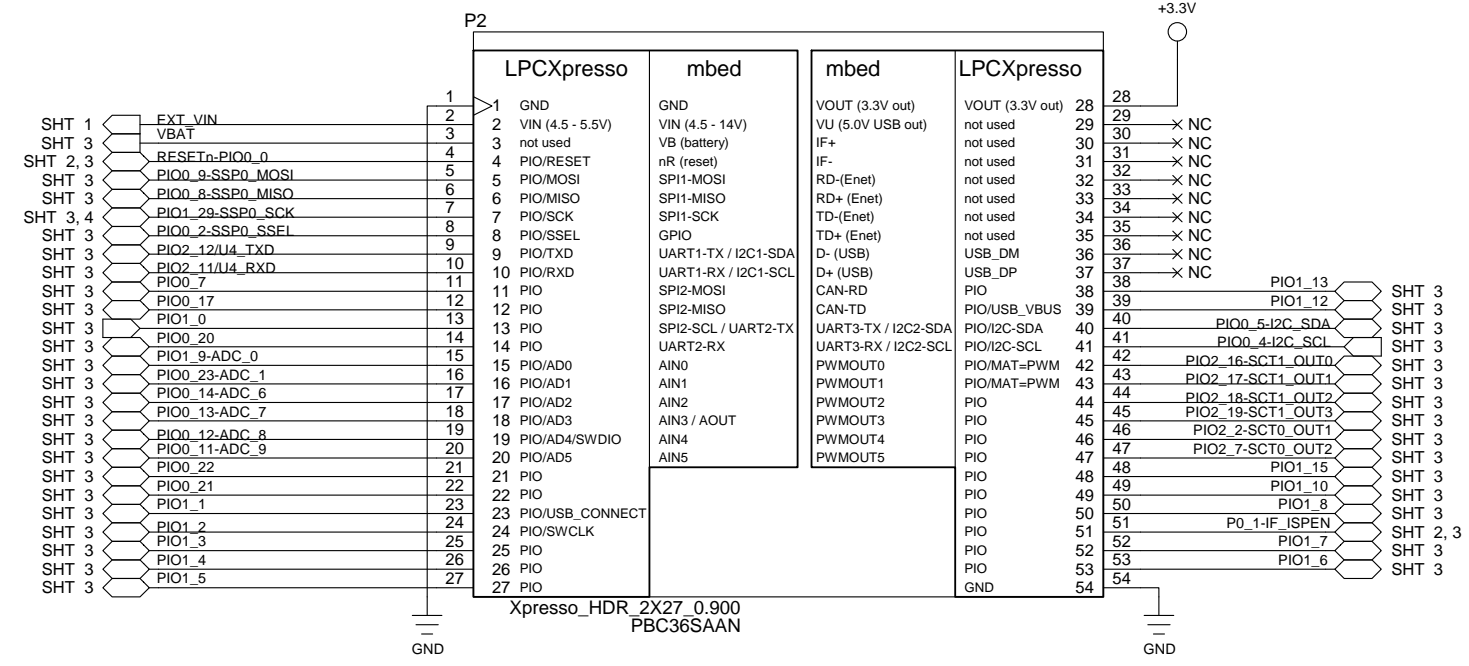
REVISIONS			
REV	DESCRIPTION	DATE	APPROVED

PMOD compatible header



PMOD pin function	LPC11U68 supported function
Pin 1: GPIO/SPI-SSEL(out)/UART-CTS(in)	GPIO/SPI-SSEL(out)
Pin 2: GPIO/SPI-MOSI(out)/UART-TXD(out)	GPIO/SPI-MOSI(out)
Pin 3: GPIO/SPI-MISO(in)/UART-RXD(in)	GPIO/SPI-MISO(in)
Pin 4: GPIO/SPI-SCK(out)/UART-RTS(out)	GPIO/SPI-SCK(out)
Pin 5: GND	GND
Pin 6: VCC(3.3V)	VCC(3.3V)
Pin 7: GPIO/INT(in)	GPIO/INT(in)
Pin 8: GPIO/RESET(out)	GPIO/RESET(out)
Pin 9: GPIO	GPIO
Pin 10: GPIO	GPIO
Pin 11: GND	GND
Pin 12: VCC(3.3V)	VCC(3.3V)

LPCXpresso brd header (Bottom side of PCB)



CONTRACT NO.		Xpresso/Arduino/PMOD headers	
APPROVALS	DATE	NXP Semiconductors 411 E. Plumeria Dr San Jose, CA 95134 www.standardics.nxp.com/microcontrollers/	
DRAWN	7/30/2014		
CHECKED		SIZE	D
ISSUED	07/30/13	DWG. NO.	Xpresso-LPC11U68
		REV	C
		SCALE	SHEET 4 OF 04